

Challenge-Cup 16.11.2024 Kamenz U9 mnl -31

Competitors A

Competitors: 6

#	Name	Club	1	2	3	Wins	Pts	Pos
1	SZYMANSKI Hans	SV Oberes Elbtal				0	0	3
2	BROŽEK Vít	JUDO Club Jablonec	10		10	2	20	1
3	KUNC Martin	JUDO Club Jablonec	10			1	10	2

Matches A

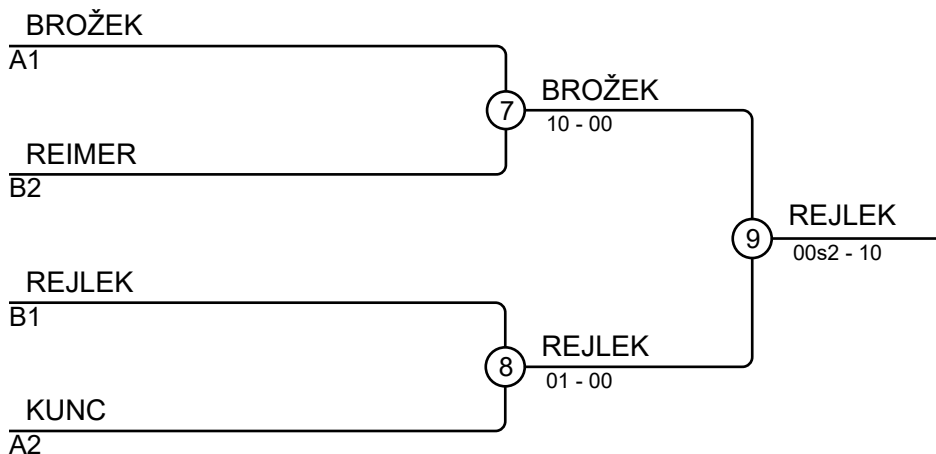
Match	White	Blue	Result	Time
1	SZYMANSKI Hans 1 2	BROŽEK Vít	00-10	0:21
3	SZYMANSKI Hans 1 3	KUNC Martin	00-10	0:19
5	BROŽEK Vít 2 3	KUNC Martin	10-00	0:37

Competitors B

#	Name	Club	4	5	6	Wins	Pts	Pos
4	REJLEK Matyáš	JUDO Club Jablonec		1	1	2	2	1
5	REIMER Max	PSC Bautzen			10	1	10	2
6	RESCHKE Julius	Judo Holzhausen				0	0	3

Matches B

Match	White	Blue	Result	Time
2	REJLEK Matyáš 4 5	REIMER Max	1-0	2:00
4	REJLEK Matyáš 4 6	RESCHKE Julius	1-0	2:00
6	REIMER Max 5 6	RESCHKE Julius	10-00	1:57



Results

Pos	Name
1	REJLEK Matyáš, JUDO Club Jablonec
2	BROŽEK Vít, JUDO Club Jablonec
3	REIMER Max, PSC Bautzen
3	KUNC Martin, JUDO Club Jablonec